

CLEMESSY NUCLÉAIRE  
18 rue de Thann  
BP 52499  
68057 MULHOUSE CEDEX 2

Contact us :  
+33 (0)3 89 32 33 95  
+33 (0)3 89 32 32 80

www.clemessy.com

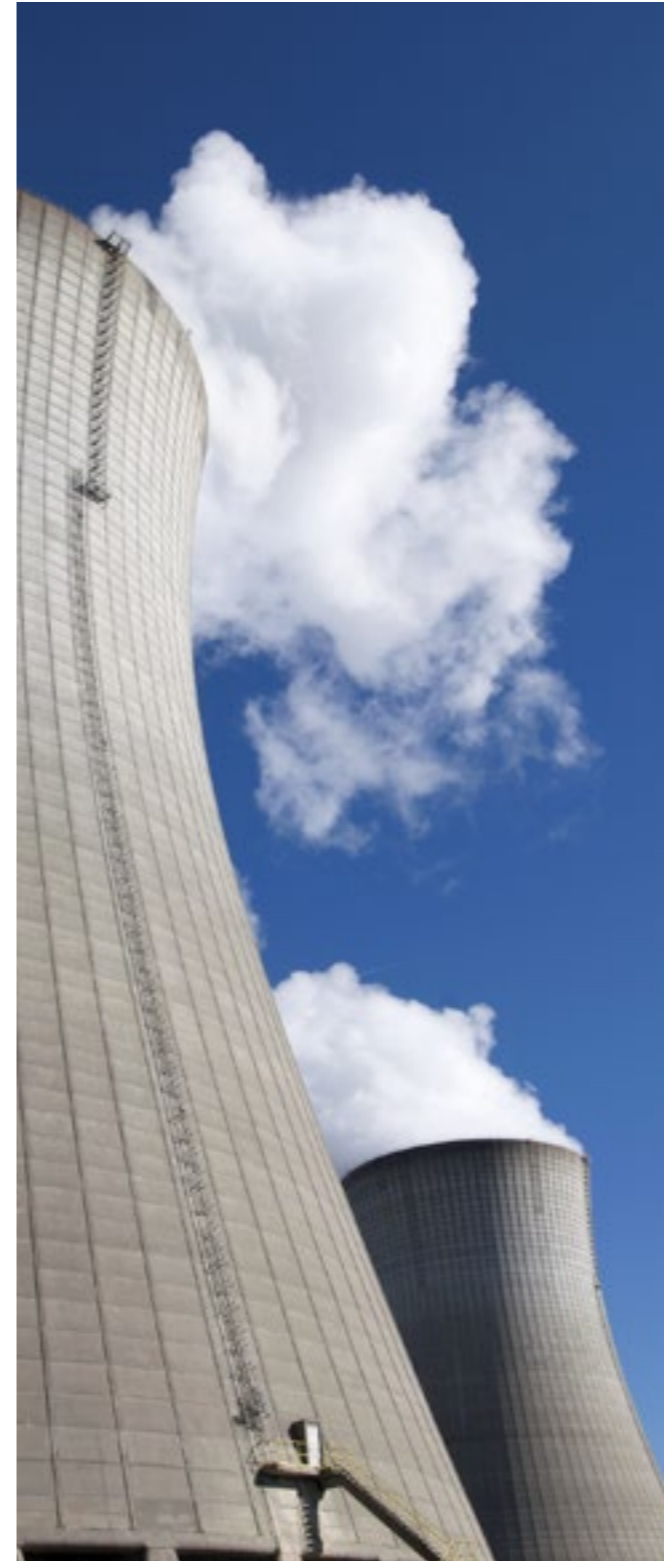


# Nuclear

News works, maintenance  
and technical assistance



08/2016 Design & realisation : Clemessy Communication Crédit photos : Clemessy - EDF Médiathèque / Alexis Morin - Antoine Soubigou







A dedicated organisation which combines proximity and technological expertise.

FROM DESIGN TO COMPLETION,  
FROM COMMISSIONING TO ENSURING OPERATIONAL READINESS

- Engineering
- Functional and seismic qualifications
- Manufacture
- Erection and commissioning
- Preventive and corrective maintenance
- Training

Capitalising on 40 years of experience along with our on-going commitment to improve today make us a benchmark partner offering the know-how and conduct to meet the demands and challenges of the nuclear industry.



### TECHNICAL ASSISTANCE

- In charge of tests in a Joint Team
- Project monitoring (electrical and instrumentation facilities)
- Logistics (managing equipment and easements,...)
- Method technicians (SDIN Nuclear Technical Information System, drawing up the maintenance task lists,...)

### DECOMMISSIONING

Our specialists provide support on decommissioning projects by handling the design of dedicated systems or equipment: automated equipment, special machines.

They ensure the operational readiness of the systems required for the safety of the site: fire detection, ventilation, site protection, ...

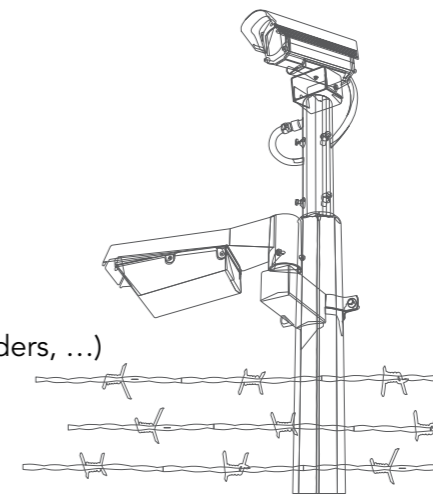
### POWER & LIGHTING

- General electrical installations
- Main LV board
- Electrical, pneumatic and automated equipment cabinets
- MV/HV



### COMMUNICATION

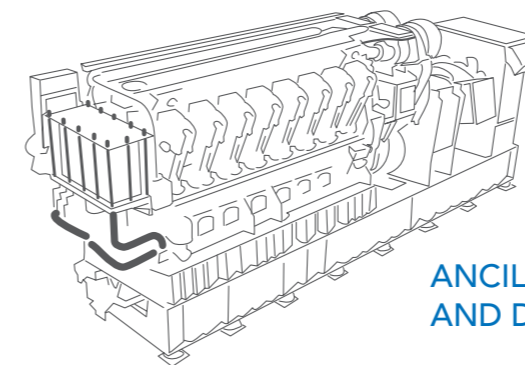
- Fire safety systems
- Video surveillance systems
- Intra-site telecommunications



### SITE PROTECTION ACCESS CONTROL SYSTEM

- Physical barriers (detector fences, gates, badge readers, ...)
- Video surveillance
- Information centralisation

### INSTRUMENTATION PIPING VALVES



### VENTILATION, COOLING UNITS ROTATING MACHINES

### ANCILLARIES AND DIESEL GENERATOR SETS

WORK AND SERVICES CARRIED OUT IN ACCORDANCE WITH THE MOST STRINGENT REGULATORY REQUIREMENTS

Clemessy Nucléaire has the certifications and qualifications which guarantee the standard of our work. Our company has an integrated management system which consolidates our commitments in terms of quality, security, environment and nuclear safety.

ISO 9001

ISO 14001

BS OHSAS 18001

UTO Qualifications :

- Electrical and monitoring & control facilities
- K1 and K3 connector technology in damp environments
- Inspection, analyses, measurements and tests, including thermographic inspection
- Rotating machines
- Valve maintenance
- Sheet metal work / Piping
- Climatic engineering
- Intellectual engineering, technical assistance
- Civil engineering

APSAD level I7-F7

(Fire detection maintenance & installation work)

CEFRI

(Work under ionizing radiation)

Qualifoudre

